

GS/B 20S4 1150X525 LOW PROFILE

EASY TO MOVE



LIFTER GS PRO, SPECIAL AND 3000 KG

The GS PRO pallet truck is equipped as a standard with an entry and exit roller and a more ergonomic handle than the GS Basic. Available with weight capacity of up to 3000kg.



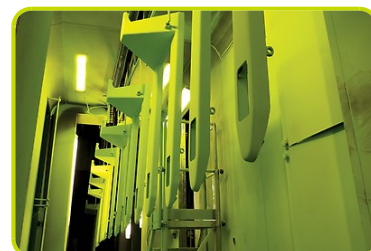
MAXIMUM PRESSURE VALVE

When the maximum load capacity is exceeded, oil pressure exceeds its maximum limit and the valve automatically locks the forks. Thus possible structural damage is avoided.



VARNISHING

Following an appropriate conditioning operation the frame is varnished with polyester powder at a temperature of 250° to guarantee maximum resistance to wear and atmospheric agents.



Description

| | | | |
|----------------------------|---|----|------------|
| 1.1 Manufacturer | | | LIFTER |
| 1.3 Drive | | | Manual |
| 1.4 Operator type | | | Pedestrian |
| 1.5 Load capacity | Q | Kg | 2000 |
| 1.6 Load centre distance | c | mm | 600 |
| 1.8 Load axle to end forks | x | mm | 945 |
| 1.9 Wheel base | y | mm | 1192 |

Weights

| | | | |
|------------------------------|--|----|------|
| 2.1 Service weight | | Kg | 71 |
| 2.2 Axle load, laden rear | | Kg | 1378 |
| 2.2 Axle load, laden front | | Kg | 693 |
| 2.3 Axle load, unladen front | | Kg | 48 |
| 2.3 Axle load, unladen rear | | Kg | 23 |

Tyres/Chassis

| | | | |
|--|-----|----|-------------------|
| 3.1 Tyres: front wheels | | | POLY.I./ NYLON |
| 3.1 Tyres: rear wheels | | | STEEL |
| 3.2 Tyre size: Steering wheels - Diameter | | mm | 200 |
| 3.2 Tyre size: Steering wheels - Width | | mm | 55 |
| 3.3 Tyre size: Load rollers - Diameter | | mm | 55 |
| 3.3 Tyre size: Load rollers - Width | | mm | 58 |
| 3.5 Tyre size: rear wheels - Q.ty (X=driven) | | nr | 4 |
| 3.5 Rear balancing axle | | | No |
| 3.6 Tread, front | b10 | mm | 125 |
| 3.7 Tread, rear | b11 | mm | 365 |

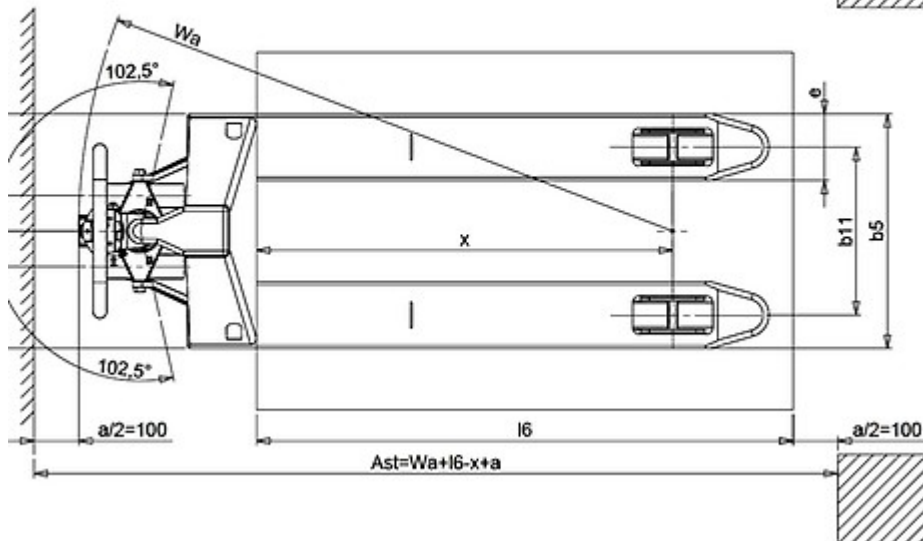
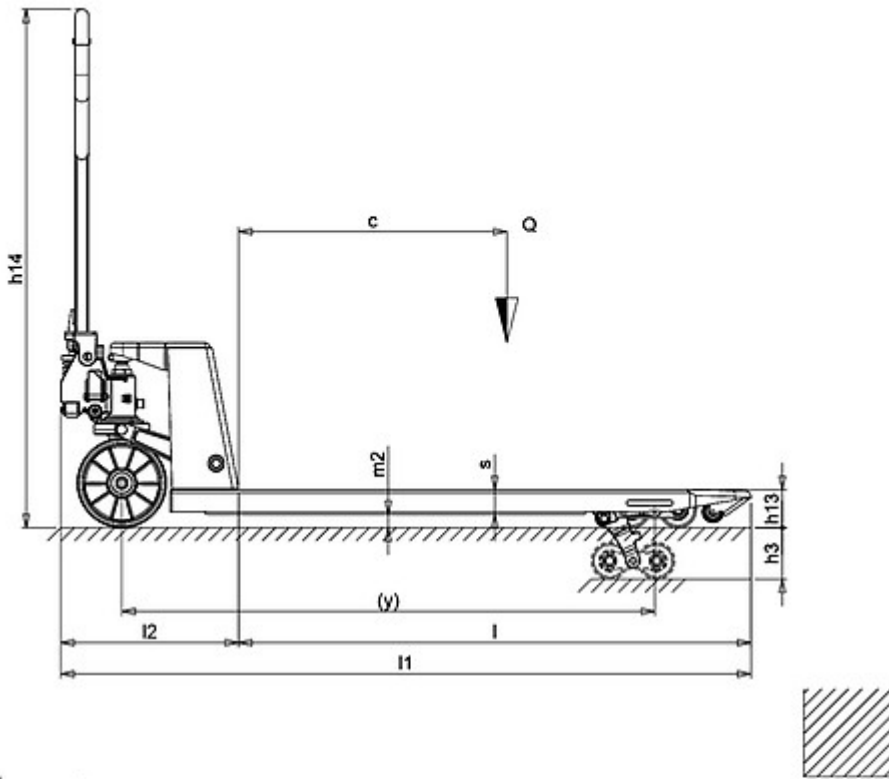
Dimensions

| | | | |
|--|-----|----|------|
| 4.4 Lift height | h3 | mm | 115 |
| 4.9 Height of tiller in drive position max | h14 | mm | 1160 |
| 4.15 Height, lowered | h13 | mm | 56.5 |
| 4.19 Overall length | l1 | mm | 1550 |
| 4.20 Length to face of forks | l2 | mm | 400 |
| 4.21 Overall width | b1 | mm | 525 |
| 4.22 Fork dimensions - Thickness | s | mm | 40 |
| 4.22 Fork dimensions - Width | e | mm | 160 |
| 4.22 Fork dimensions - Length | l | mm | 1150 |
| 4.25 Distance between fork arms | b5 | mm | 525 |
| 4.32 Ground clearance, centre of wheelbase | m2 | mm | 15 |
| 4.34 Aisle width | Ast | mm | 1822 |
| 4.35 Turning radius | Wa | mm | 1367 |

Performance data

| | | |
|---------------------------|---------|----|
| 5.2 Lifting speed laden | strokes | 13 |
| 5.2 Lifting speed unladen | strokes | 13 |

*Available accessories: tandem rollers, polyurethane rollers (as a standard on Premium), rubber guide wheels, manual control brake



www.pramac.com

The information is aligned with the Data file at the time of download. Printed on 12/04/2017 (ID 619)

©2016 | PR INDUSTRIAL s.r.l. | All rights reserved | Image shown may not reflect actual package. Specifications subject to change without notice

